

Circuit Diagram

Admiral 40

Models: ADM40D & ADM40DSS



Valid from: August 05, 2007
 Updated: September 22, 2010

Electrical parts reference list for Admiral 40
 Refer to parts manual for detailed assembly drawing.
 X part numbers for connectors reference the components side only.

Ref.	Description	Part Number	Path
A1	Control unit, Function control	01175790	1.24
A2	CAN control panel (electr. module) pre-sweeper/side brush	00512490	2.22
-	CAN control panel, complete, for -A2 and -A10 (foil, plate, module)	00512500	
-	CAN control panel for -A2 and -A10 (foil, plate)	90335514	
A3	Standard control panel (electronic module B-type machine)	00712220	2.6
-	Standard control panel, complete, for -A3 (foil, plate, module)	00512480	
-	Standard control panel for -A3 (foil, plate)	90335522	
A4	Module 3E "Code A" (pre-sweeper OPTION)	00512460	3.16
A5	Module 1, Power motors	00752920	2.26
A6	Drive controller	01171320	2.5
A7	Module, Chemical agent (chemical agent dosage OPTION)	00512450	4.32
A8	DC/DC converter	00512440	3.11
A9	Module 3E "Code D" (side brush OPTION)	00512460	4.10
A10	CAN control panel (electric module) chemical agent / soiled water recycling	90493453	2.32
B1	Float switch, Recovery tank (soiled water)	00959650	1.35
B2	Float switch, Filling (filling OPTION)	00959650	1.16
B3	Alarm (Piezo buzzer) (signal transmitter)	00745850	1.35
C1	Capacitor, 0.22µF Horn	00980040	1.4
E1	Front working floodlight (working floodlight OPTION)	00980040	3.26
E2	Rear working floodlight (working floodlight OPTION)	00451320	3.28
F50	Fuse, 200A- Main	00101520	1.5
F51	Fuse, 10A- Working floodlight and rotating beacon OPTION	00874970	1.6
G1	Battery 36V, Wet 6V 395Ah (6 required)	956715	1.3
H50	Horn	00050810	1.5
H52	Rotating beacon (rotating beacon OPTION)	90196387	4.22
K1	Relay, Filling (filling OPTION)	00059550	1.16
K2	Relay, Soiled water recycling (soiled water recycling OPTION)	00120840	2.16
K3	Relay, Forward / reverse direction	01079810	2.9
M1	Water pump	97047310	2.15
M2	Soiled water recycling pump (soiled water recycling OPTION)	97047310	2.15
M3	Actuator, Squeegee (lifting element)	00650200	2.38
M4	Actuator, Side brush (lifting element) (side brush OPTION)	00142140	3.33
M5	Drive motor	00910150	2.12
M6	Actuator, Pre-sweeper (lifting element) (pre-sweeper OPTION)	00650110	3.6
M7	Cylindrical broom (pre-sweeper OPTION)	00911390	3.2
M7.S1	Thermal switch, Cylindrical broom (pre-sweeper OPTION)	part of M7	3.4
M8	Side broom 1, Right (pre-sweeper OPTION)	01057330	3.2
M8.S1	Thermal switch, Side broom 1 (pre-sweeper OPTION)	part of M8	3.3
M9	Side broom 2, Left (pre-sweeper OPTION)	01057330	3.2
M9.S1	Thermal switch, Side Broom 2 (pre-sweeper OPTION)	part of M9	3.3
M10	Actuator, Brush deck (lifting element)	00650110	2.37
M11	Filter shaker motor (pre-sweeper OPTION)	00512370	3.3
M12	Filter vacuum motor (pre-sweeper OPTION)	00512370	3.5
	RED= NON-Stock Item		

Circuit Diagram

Admiral 40

Models: ADM40D & ADM40DSS



Valid from: August 05, 2007
 Updated: September 22, 2010

Electrical parts reference list for Admiral 40
 Refer to parts manual for detailed assembly drawing
 X part numbers for connectors reference the components side only.

Ref.	Designation	Part Number	Path
M13	Brush motor 1, Right	00650230	2.36
M13.S1	Thermal switch, brush motor 1	part of M13	2.38
M14	Brush motor 2, Left	00650230	2.36
M14.S1	Thermal switch, brush motor 2	part of M14	2.38
M15	Side brush motor (side brush OPTION)	00142130	3.29
M15.S1	Side brush thermal switch (side brush OPTION)	part of M15	3.30
M16	Vacuum motor 1, Left (suction turbine)	00911380	2.30
M17	Vacuum motor 2, Right (suction turbine)	00911380	2.33
M18	Chemical agent dosage (chemical agent dosage OPTION)	00112300	4.35
R1	Drive potentiometer	00975500	2.11
R4	Resistor, 270Ω (filling OPTION)	19245109	1.13
R8	Resistor, 0.56Ω (pre-sweeper OPTION)	00903500	3.7
R9	Resistor, 0.56Ω (pre-sweeper OPTION)	00903500	3.3
R10	Terminating resistor CAN bus 120Ω	90266925	1.20
R11	Terminating resistor CAN bus 120Ω	90266925	2.24
S51	Key switch	90323437	1.8
S52	Seat switch (contact switch)	00041420	1.37
S53	Drive direction switch (toggle switch)	00697630	2.4
S54	Drive potentiometer switch (micro switch)	00975510	2.9
S55	Parking brake switch (stop light switch)	00028680	1.34
S56	Horn switch (push button switch)	00133770	1.6
S57	Filling switch (filling OPTION) (rocker switch)	00009050	1.13
S59	Dirt hopper switch (pre-sweeper OPTION) (push switch)	00927610	3.11
S60	Hood switch (pre-sweeper OPTION) (push switch)	00927610	3.11
S61	Suction lance switch (chemical agent dosage OPTION)	90045058	4.38
S62	Rotating beacon switch (rotating beacon OPTION) (rotary switch)	00521380	4.23
S63	Working floodlight switch (working floodlight OPTION) (rotary switch)	00521380	4.26
V2	Recovery diode for horn –H50	90194879	1.7
V3	Recovery diode for water valve for filling –Y3	90194879	1.12
X2	Distributor + potential (36V)	00121440	1.12
X3	Distributor – potential (0V)	00121440	1.8
X5	Connector, 8 pin		3.11
X6	Connector, 8 pin		3.11
X18	Connector, 8 pin		4.5
X22	Connector, 1 pin		2.2
X23	Connector, 2 pin		1.8
X24	Connector, 1 pin (pre-sweeper OPTION)		2.7
X25	Connector, Suction lance switch (chemical agent dosage OPTION)	19791128	4.37
X26	Connector, 2 pin- Float switch, Recovery tank (soiled water sensor)	19791128	1.34
X27	Connector, 2 pin- Actuator, Squeegee (lifting element)	19791128	2.38
X28	Connector, 2 pin		1.32
X29	Connector, 1 pin		1.8
X30	Connector, 1 pin		3.23
	RED= NON-Stock Item		

Circuit Diagram

Admiral 40

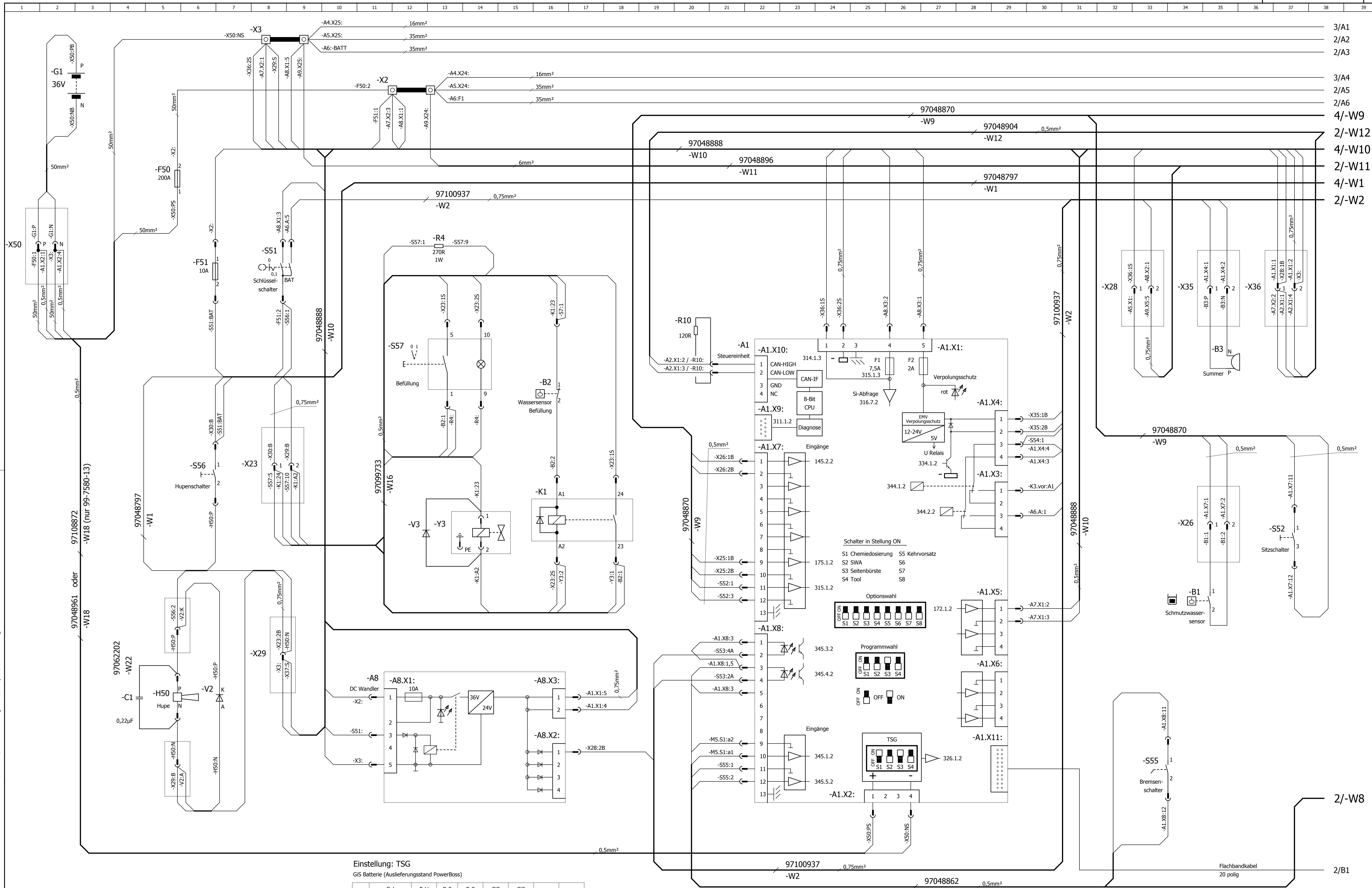
Models: ADM40D & ADM40DSS



Valid from: August 05, 2007
 Updated: September 22, 2010

Electrical parts reference list for Admiral 40
 Refer to parts manual for detailed assembly drawing
 X part numbers for connectors reference the components side only.

Ref.	Designation	Part Number	Path
X31	Connector, 1 pin- Water pump (female)	19791037	2.15
X32	Connector, 1 pin- Water pump, (male)	19791029	2.16
X33	Connector, 1 pin- Soiled water pump (Recycling pump OPTION), (female)	19791037	2.15
X34	Connector, 1 pin- Soiled water pump (Recycling pump OPTION), (male)	19791029	2.16
X35	Connector, 2 pin- Alarm (Piezo buzzer) (signal transmitter), (female)	19791128	1.34
X36	Connector, 2 pin		1.36
X37	Connector, 1 pin		4.28
X38	Connector, 2 pin- Filter shaker- M11 (pre-sweeper OPTION)	19791128	3.2
X39	Connector, 2 pin- Filter vacuum- M12 (pre-sweeper OPTION)	19791128	3.5
X40	Connector, 2 pin- Rotating beacon, (rotating beacon OPTION)	19791128	4.22
X42	Connector, 2 pin- Actuator, side brush (side brush OPTION)	19791128	3.32
X43	Connector, 3 pin- Drive potentiometer	00972399	2.12
X50	Battery connector, 175A (2 per machine) SB175	740159	1.1
X51	Connection stud for virtual earth of control panel -A3		2.4
X52	Connection stud for virtual earth of control panel -A10		3.30
X53	Connector, 1 pin- Side brush thermal switch- Right (pre-sweeper OPTION)	19791037	3.5
X54	Connector, 1 pin- Side brush thermal switch- Right (pre-sweeper OPTION)	19791029	3.5
X55	Connector, 1 pin- Side brush thermal switch- Left (pre-sweeper OPTION)	19791037	3.5
X56	Connector, 1 pin- Side brush thermal switch- Left (pre-sweeper OPTION)	19791029	3.5
Y1	Water valve, Brushes	00563220	2.19
Y2	Water valve, Soiled water recycling system (soiled water recycling OPTION)	00563220	2.19
Y3	Water valve, Filling (part of filling OPTION)	00651240	1.14
Y4	Water valve, Side brush (side brush OPTION)	00563220	3.37
	RED= NON-Stock Item		



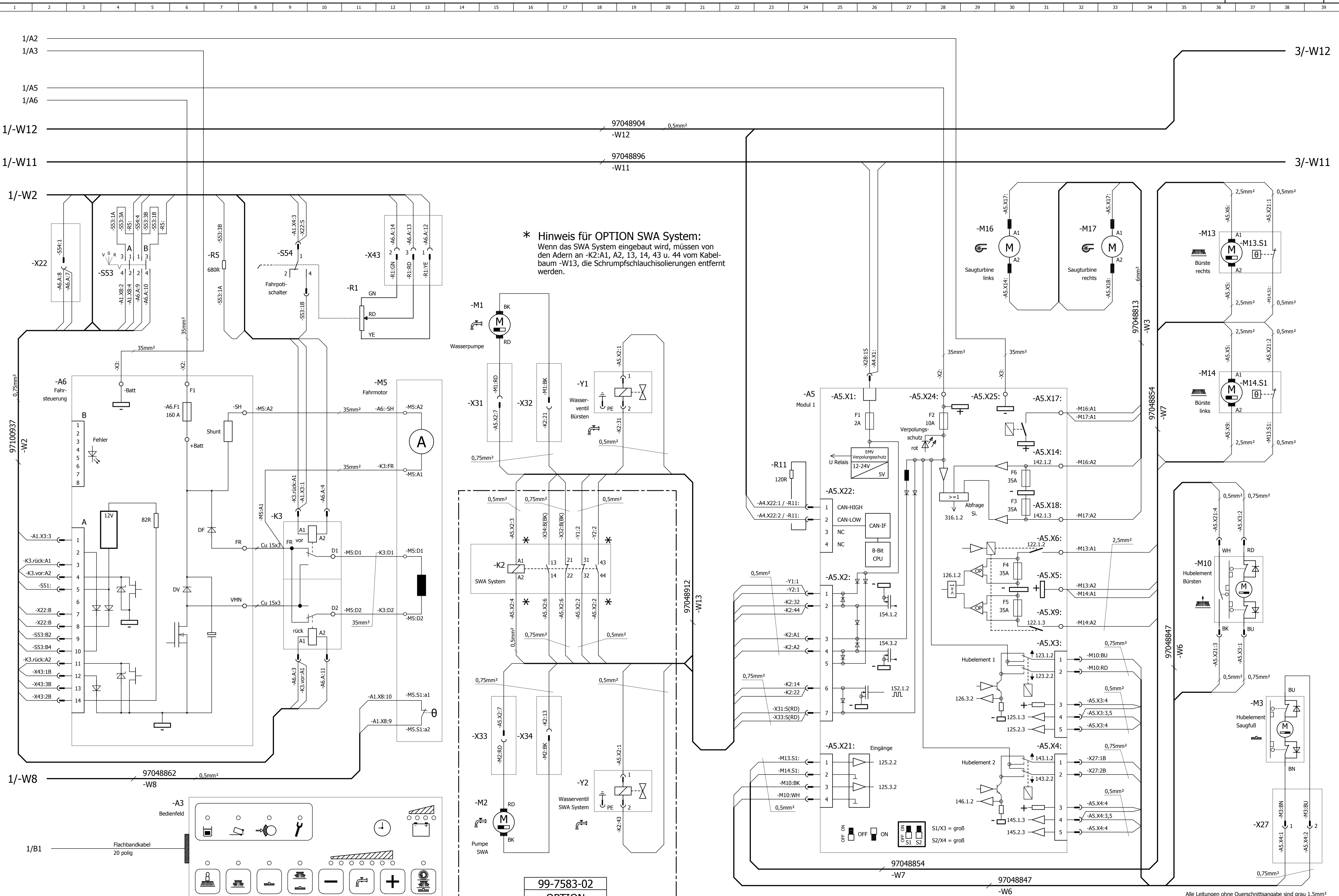
Einstellung: TSG
GIS Batterie (Auslieferungszustand PowerBoss)

	Gel (Sonnenschein)	PzV	PzS	PzS fremd	GIS	GIS fremd		
1	0	1	1	0	1	0	1	0
2	1	1	0	0	1	1	0	0
3	1	1	1	1	0	0	0	0
4	ON = 24V / OFF = 36V							

=	6	J.	1613-00	20.04.09	Bah.	2006	Datum	Name	VES-Nr. :	Benennung	Zeichnungs-Nr. 91025015
	Nr.	Zahl kommt vor	Änd.-Nr.	Datum	Name	Gezeichnet	20.10.	kupe	Ersatz für : Gl.Nr.	CIRCUIT DIAGRAM ADMIRAL 40	
+						Geprüft			Änd. Nr. : 1566-00	Für diese Zeichnung behalten wir uns alle Rechte vor. (Gemäß DIN 34)	Blattzahl: 8 Blatt: 1

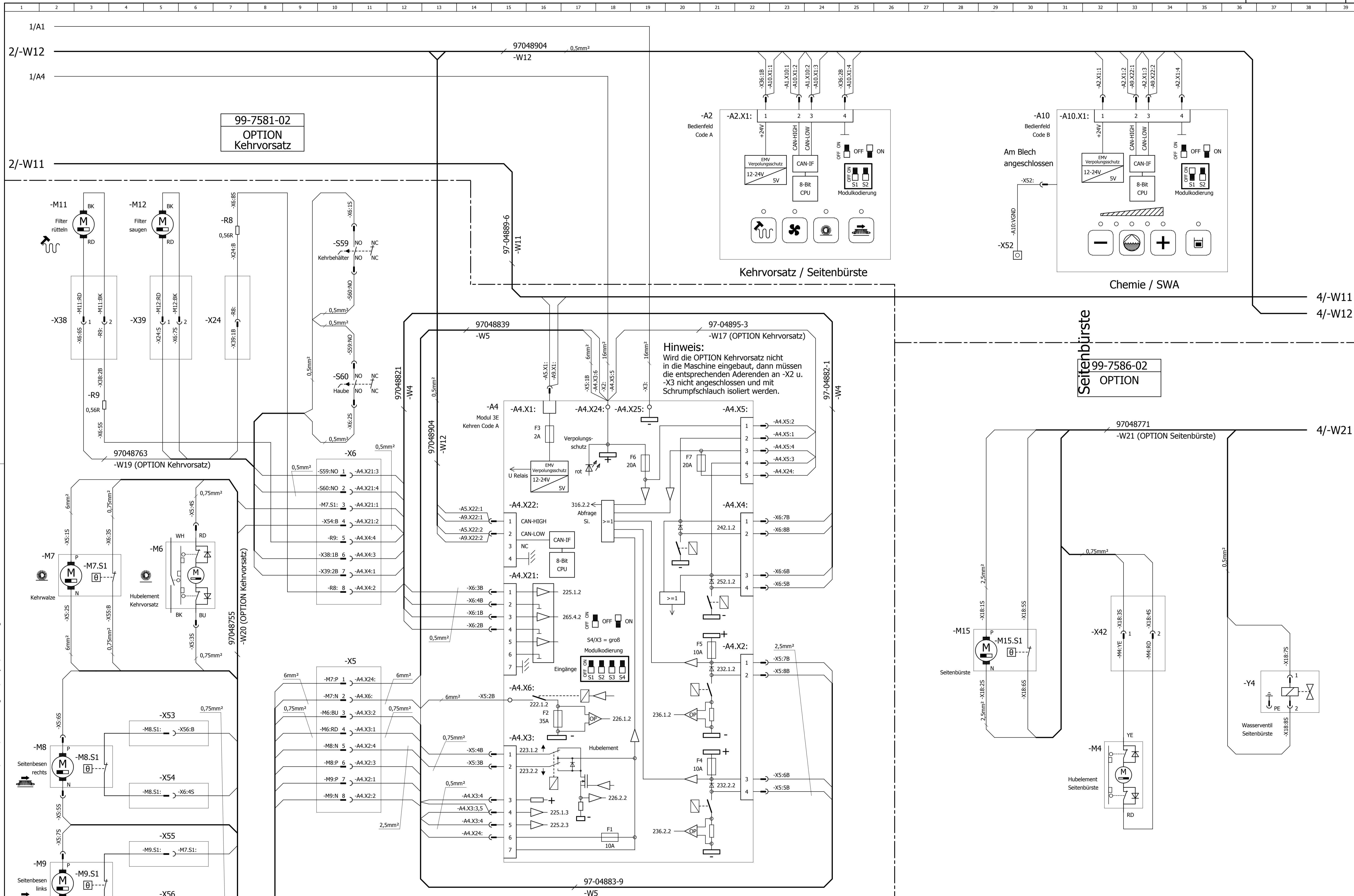
PLOTDATUM : 05.05.2009 B-Stand : 007 / Bah. / 20.04.09 [09 / kupe / 23.04.09]

Alle Leitungen ohne Querschnittsangabe sind grau 1,5mm²

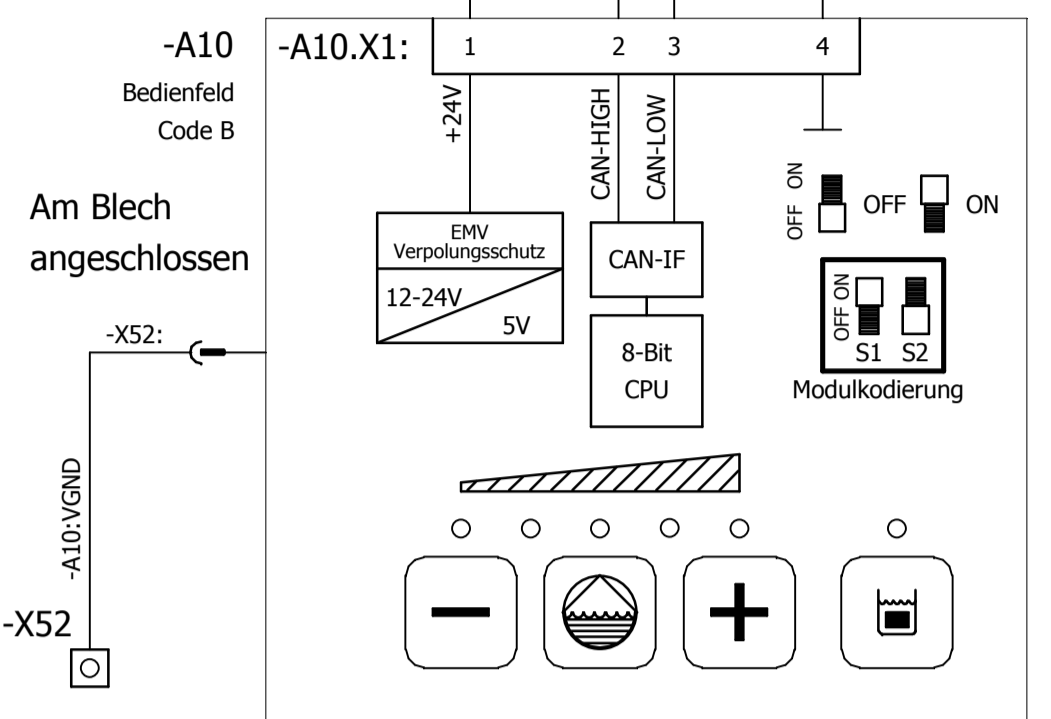
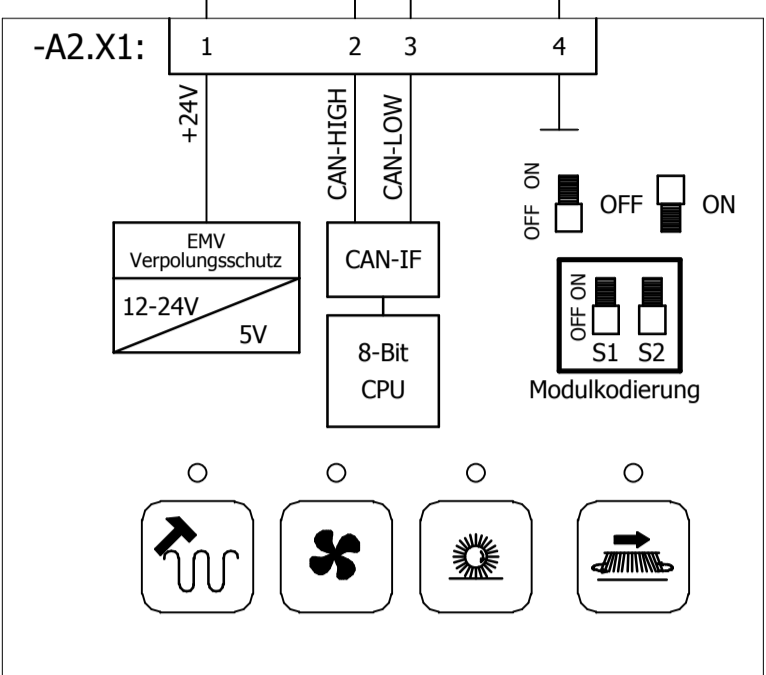


PLOT DATUM : 05.05.2009 B-Stand : 007 / Bah. / 20.04.09 [008 / kupe / 23.04.09]

=	6	J.	1613-00	20.04.09	Bah.	2006	Datum	Name	VES-Nr. :	Benennung		Zeichnungs-Nr. 91025015
						Gezeichnet	20.10.	kupe	Ersatz für : Gl.Nr.	CIRCUIT DIAGRAM ADMIRAL 40		
+	Nr.	Zahl kommt vor	Änd.-Nr.	Datum	Name	Normgepr.			Änd. Nr. : 1566-00	Für diese Zeichnung behalten wir uns alle Rechte vor. (Gemäß DIN 34)	Typ: 7580-02	Blattzahl: 8 Blatt: 2



99-7581-02
OPTION
Kehrvorsatz



Hinweis:
Wird die OPTION Kehrvorsatz nicht in die Maschine eingebaut, dann müssen die entsprechenden Aderenden an -X2 u. -X3 nicht angeschlossen und mit Schrumpfschlauch isoliert werden.

99-7586-02
OPTION
Seitenbürste

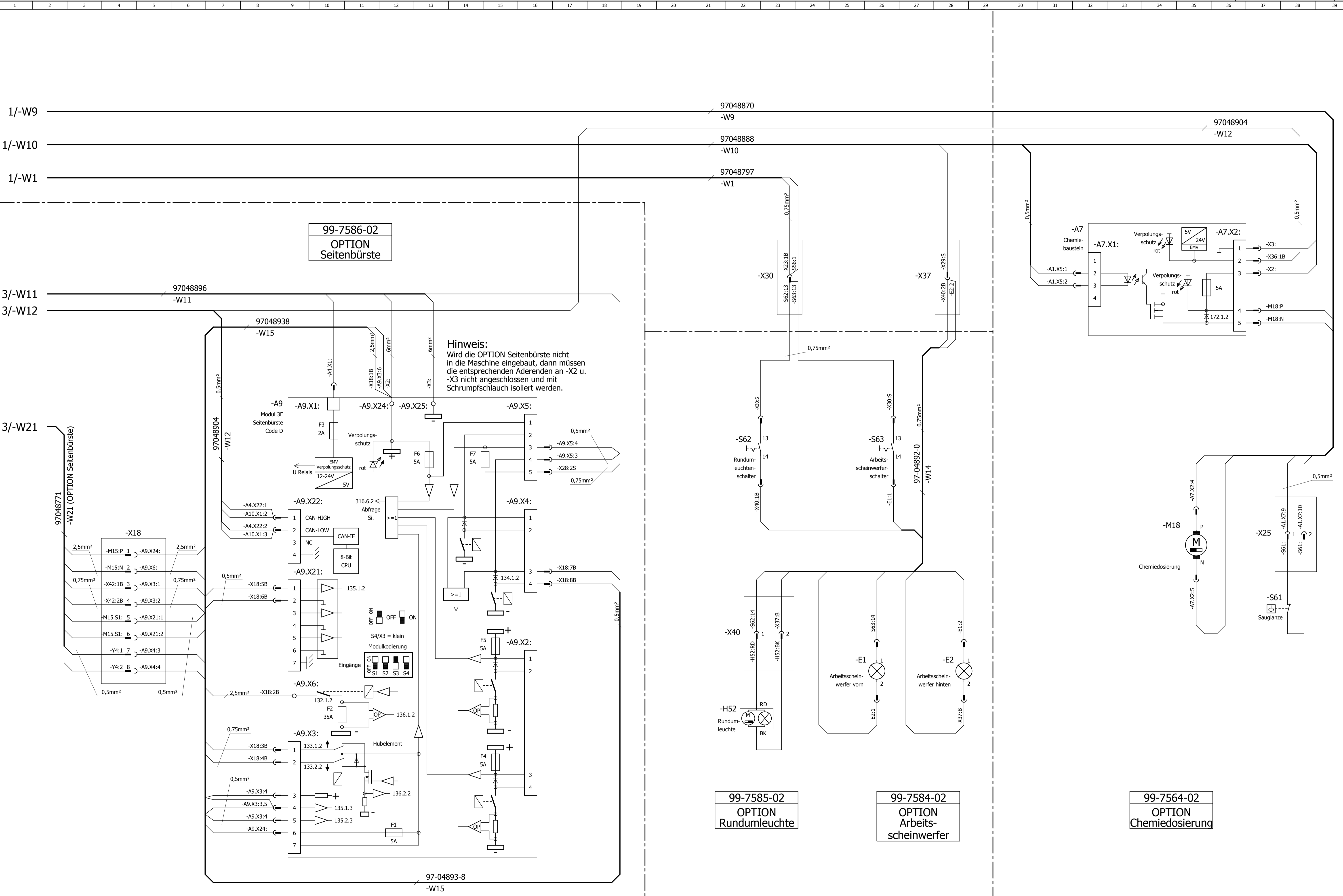
PLOT DATUM : 05.05.2009 B-Stand : 007 / Bah. / 20.04.09 [008 / kupe / 23.04.09]

Alle Leitungen ohne Querschnittsangabe sind grau 1,5mm²

=	6	J.	1613-00	20.04.09	Bah.	2006	Datum	Name	kupe	VES-Nr. :	Benennung	CIRCUIT DIAGRAM ADMIRAL 40	91025015
	Nr.	Zahl kommt vor	Änd.-Nr.	Datum	Name	Gezeichnet	Geprüft	Änd. Nr. :	1566-00	Ersatz für :	GI.Nr.		

Für diese Zeichnung behalten wir uns alle Rechte vor.(Gemäß DIN 34)

Typ: 7580-02

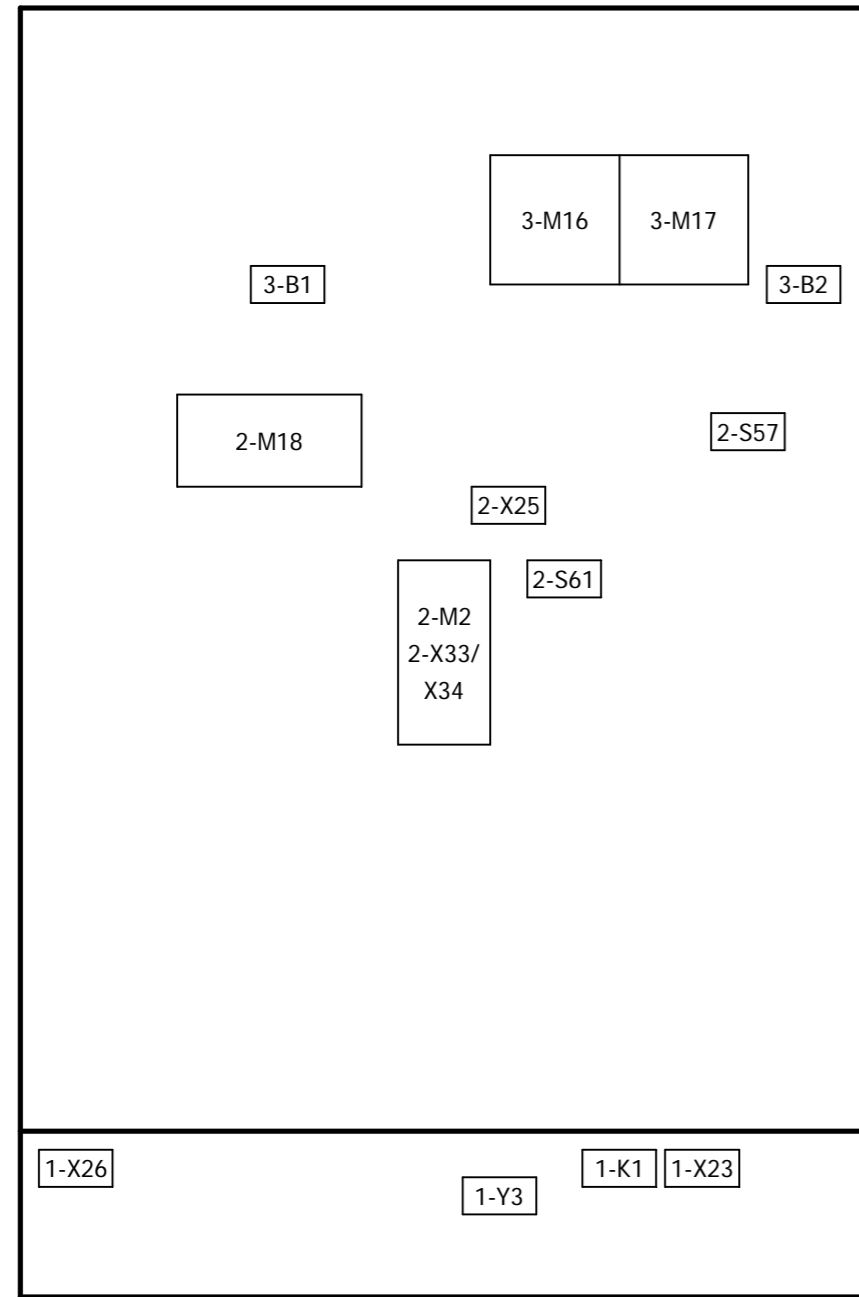


PLOT DATUM : 05.05.2009 B-Stand : 007 / Bah. / 20.04.09 [008 / kupe / 23.04.09]

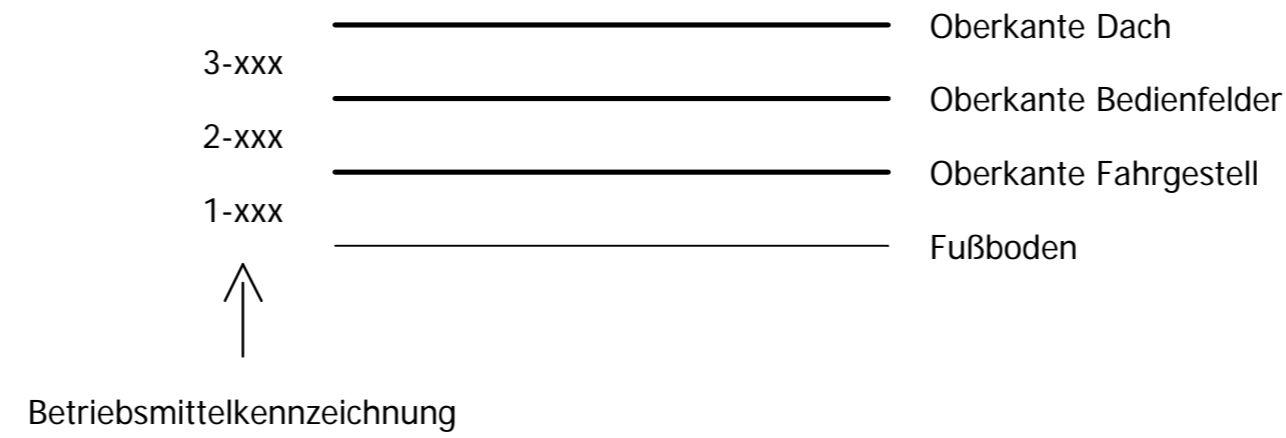
Alle Leitungen ohne Querschnittsangabe sind grau 1,5mm²

=	6	J.	1613-00	20.04.09	Bah.	2006	Datum	Name	GES-Nr. :	Benennung		Zeichnungs-Nr. 91025015
									ERSATZ FÜR : GI.Nr.	CIRCUIT DIAGRAM ADMIRAL 40		
+	Nr.	Zahl kommt vor	Änd.-Nr.	Datum	Name	Normgepr.			Änd. Nr. :	Für diese Zeichnung behalten wir uns alle Rechte vor. (Gemäß DIN 34)	Typ: 7580-02	Blattzahl: 8 Blatt: 4
									1566-00			

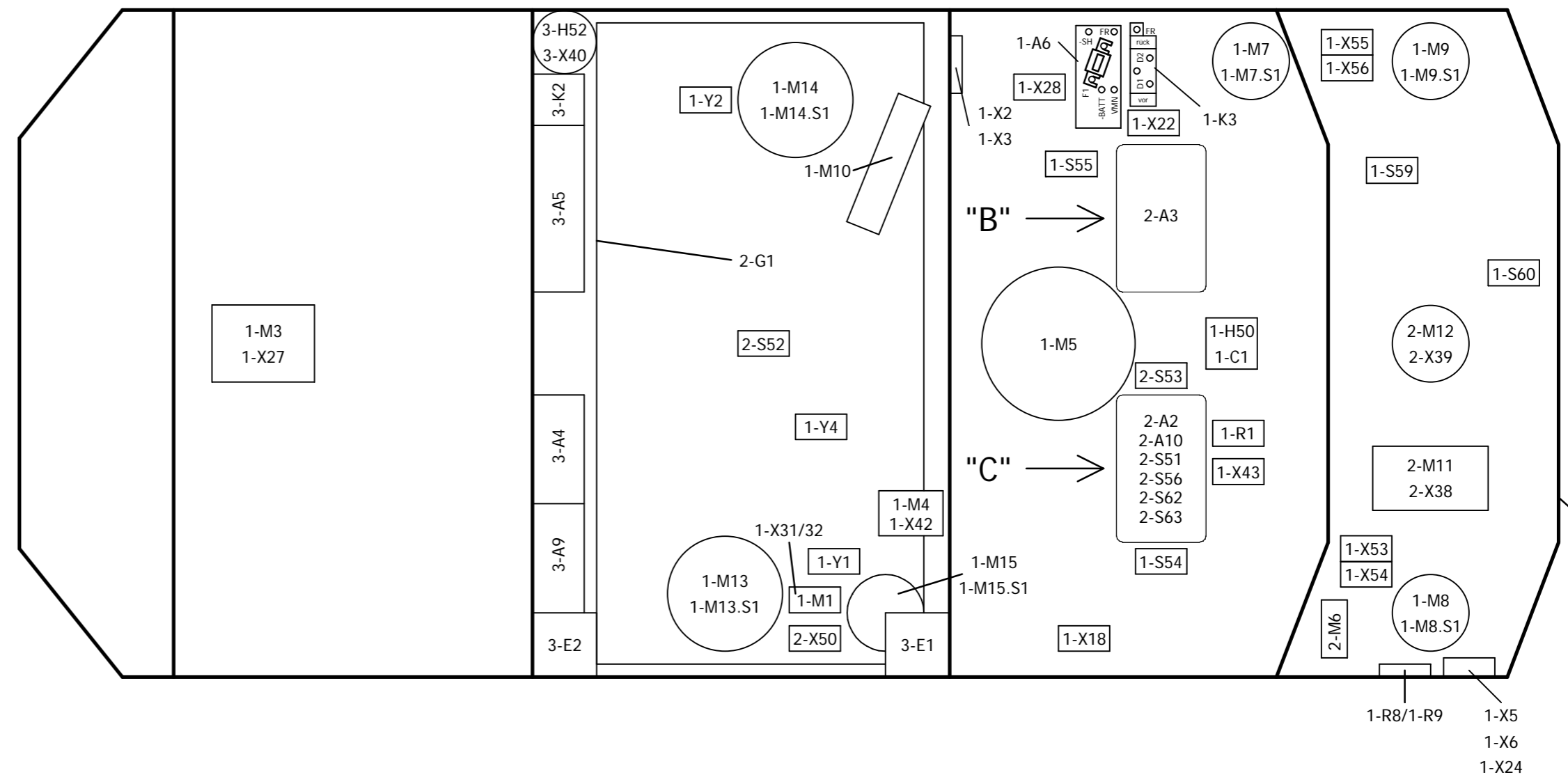
Ansicht "A"



Zuordnung der Betriebsmittel



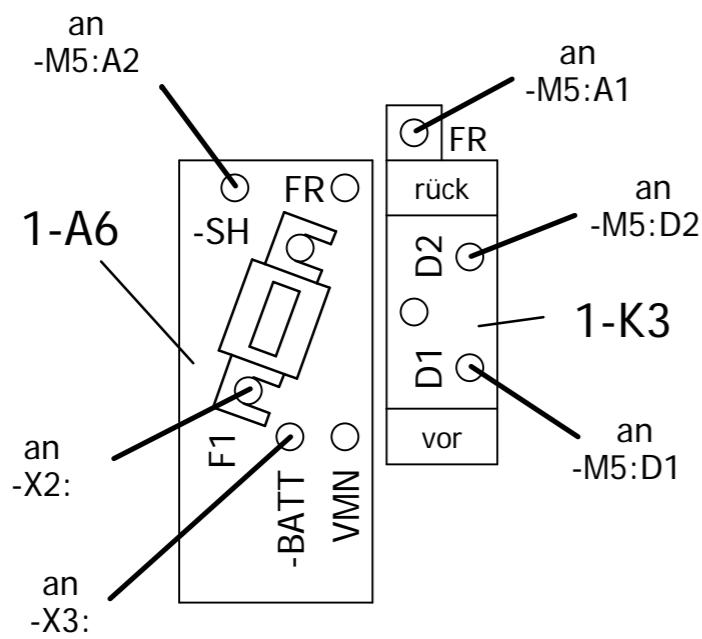
Draufsicht



"A" →
Hinten

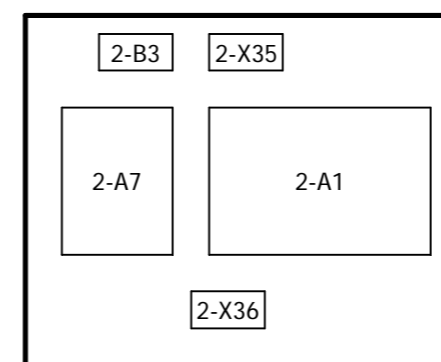
Kehrvorsatz

Ansicht vergrößert Fahrsteuerung



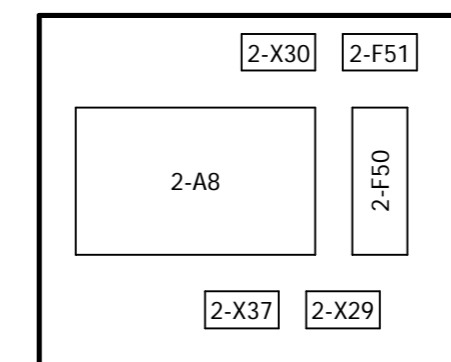
Ansicht "B"

"Handschuhfach" links



Ansicht "C"

"Handschuhfach" rechts



=	6	./.	1613-00	20.04.09	Bah.	2006	Datum	Name	VES-Nr. :	Benennung		Zeichnungs-Nr.	
	Gezeichnet	20.10.	kupe						Ersatz für: Gl.Nr.				CIRCUIT DIAGRAM ADMIRAL 40
+	Nr.	Zahl kommt vor	Änd.-Nr.	Datum	Name	Normgepr.			Änd. Nr. : 1566-00	Für diese Zeichnung behalten wir uns alle Rechte vor. (Gemaß DIN 34)	Typ: 7580-02	Blattzahl: 8	